



FEATURES

knock-down; LED light; remote control

OPTIONS

Single charger; multie charger; UK / US power plug

Available in

FRAME - FINISHING



HFTK 1B01
teak natural anthracite



HFTS 1B01
teak scuro anthracite



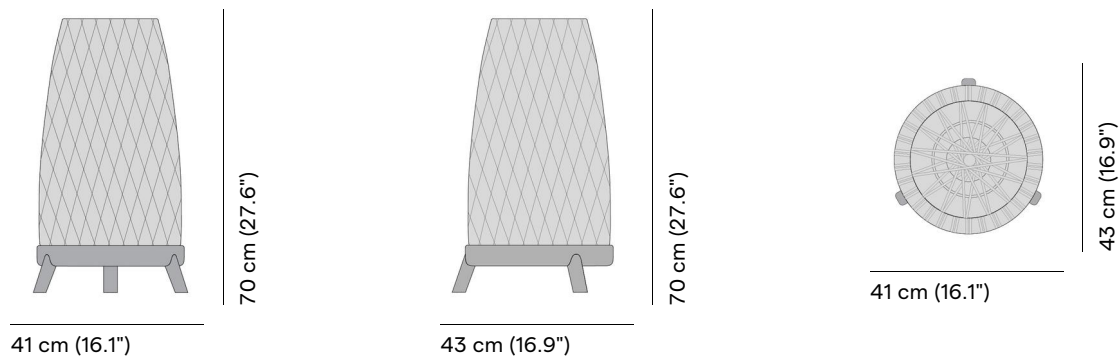
HFTK 1B02
teak natural pepper



HFTS 1B02
teak scuro pepper



Technical drawing



Maintenance

To maintain and protect your Manutti pieces, we've developed a series of products that will guarantee their extended lifespan and your carefree enjoyment for many years to come.

- [Manutti Care line kit](#)
- [Cushion Boxes](#)
- [Protective Covers](#)



More in this collection



[VIEW COLLECTION](#)

Matching collections

